



UNI-LIGHT

LIGHT DUTY RACKING/ LONGSPAN SHELVING

APPLICATIONS:

Light bulk storage, boxes, small stalls, mini warehouses, etc.



CORPORATE PROFILE

Universal Storage Systems, Africa's leading manufacturer of racking and shelving, markets a range of warehousing and storage products and systems.

The company, through the use of its own research, technology and highly trained engineers, plus access through international relationships, has a reputation of being able to develop solutions for most storage challenges.

Serving the Republic, through a network of company branches and distribution centres, Universal Storage Systems has developed a reputation for excellence in South Africa. The company has also established an expanding base of export countries-such as the Middle East, Australia, Africa and the UK.

UNI - LIGHT

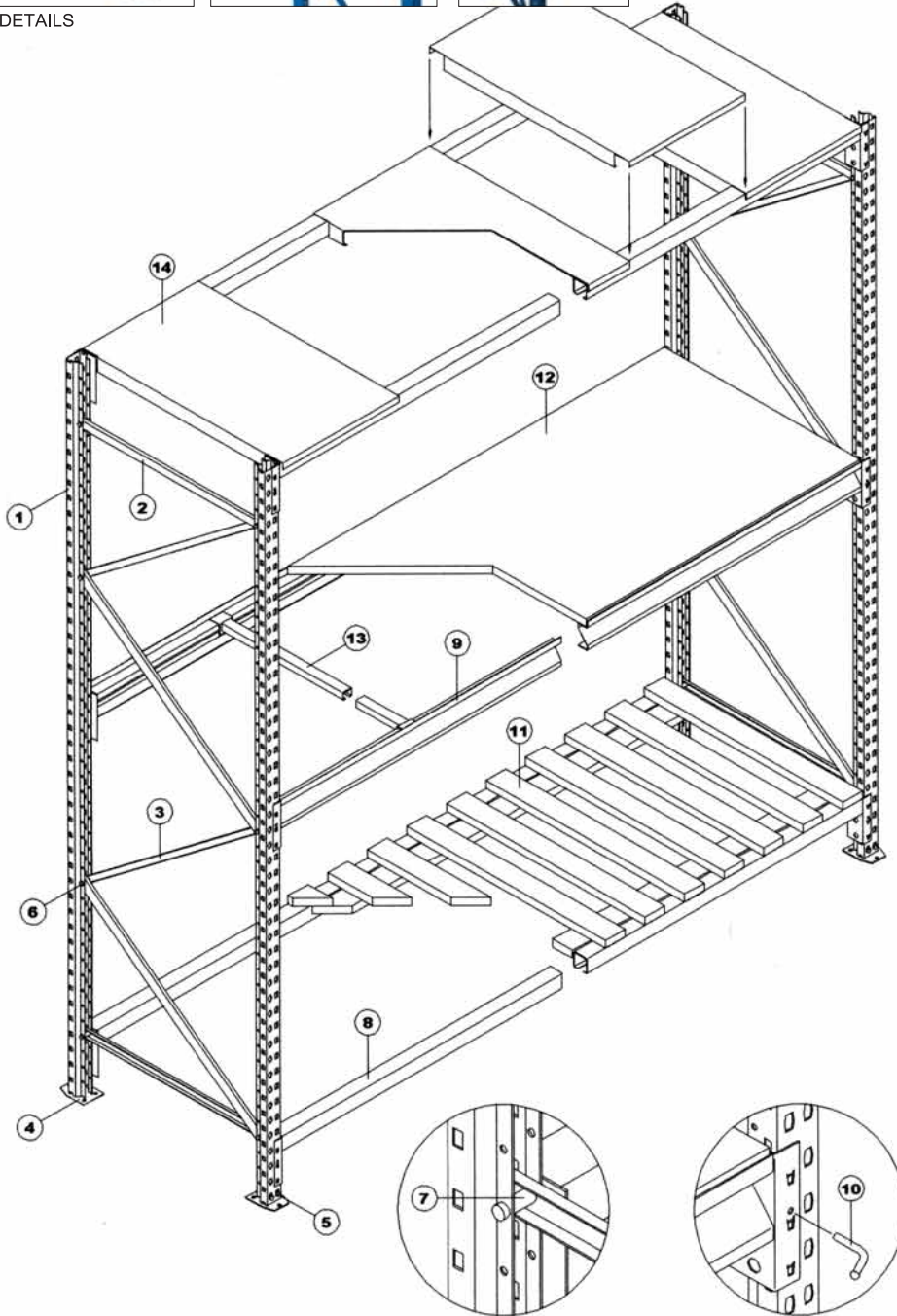
Visit our Web Site: www.universal-storage.co.za

Stronger than shelving and lighter than racking.

An ideal solution for Factories and mini-warehouse that use handpicking of items.



DETAILS



- | | |
|----------------------|-----------------------|
| ① UPRIGHT | ⑨ SIGMA BEAM |
| ② HORIZONTAL BRACE | ⑩ GRAVITY LOCKING-PIN |
| ③ DIAGONAL BRACE | ⑪ TIMBER DECK |
| ④ BOLT-ON BASE FOOT | ⑫ CHIPBOARD DECK |
| ⑤ M8/16mm BOLT & NUT | ⑬ SUPPORT SADDLE |
| ⑥ M6/40mm BOLT & NUT | ⑭ STEEL DECK |
| ⑦ 20mm SPACER TUBE | |
| ⑧ 50 OPEN BEAM | |

UNI-LIGHT



LIGHT DUTY RACKING/ LONGSPAN SHELVING

- Open Beam Racking
- Open Slatted Timber Decking
- Solid Timber Decking
- Steel Decking

Johannesburg
Tel: 011- 793-1111/2/3
Fax: 011- 793-4920
E-mail:
info@universal-storage.co.za

Cape Town
Tel: 021- 534-3560 • Fax: 021- 534-3591
E-mail: capetown@ct.universal-storage.co.za

Durban
Tel: 031-700-9666 • Fax: 031-700-9144
E-mail: durban@universal-storage.co.za

Visit our Web Site: www.universal-storage.co.za

U
UNIVERSAL
STORAGE SYSTEMS
ISO 9001
QUALITY ENDORSED COMPANY